

JADEVER

CRANE SCALE

JLT SERIES



Remote Control



AC-01N



Heat Insulation Board

OPTION

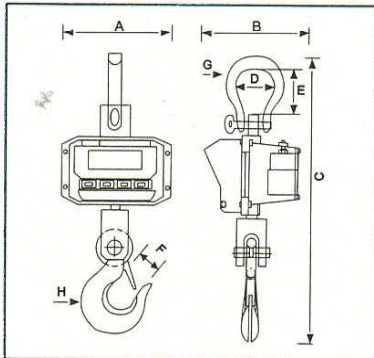
- * Remote Control
- * Heat Insulation Board
- * AC-01N handheld RF weighing indicator with RS232 interface, can expand to connect PC, dot matrix printer and label printer



Features

- With HOLD/TARE/ZERO function
- Special design, quick to show exact weight
- Extra bright red LED
- 360° freely swiveling hook
- Battery life 150 hours
- Recharging time 10 hours
- Overload safety: 200% of rated capacity
- Ultimate overload: 400% of rated capacity
- Auto Calibration
- Wireless remote controller (Option)
- Cast aluminum enclosure meets requirements for NEMA IV

Dimension



MODEL	JLT-600	JLT-1T	JLT-2T	JLT-3T	JLT-5T	JLT-7.5T	JLT-10T
A	270	270	270	270	270	270	270
B	190	190	190	190	220	270	270
C	490	520	520	520	660	780	830
D	73	73	73	73	82	82	92
E	70	70	70	70	87	87	95
F	38	38	50	50	60	60	70
G	6.5t	6.5t	6.5t	6.5t	12t	12t	17t
H	3t	3t	4.5t	4.5t	7t	11t	16t
N.W. (kg)	12.0	12.2	12.5	12.5	21.0	26.3	35.0

UNIT : mm

Specification

Model	JLT-600	JLT-1T	JLT-2T	JLT-3T	JLT-5T	JLT-7.5T	JLT-10T
Capacity	0.6t	1t	2t	3t	5t	7.5t	10t
Resolution	0.2kg	0.5kg	1kg	1kg	2kg	2kg	5kg
N.W. (kg)	12.0	12.2	12.5	12.5	21.0	26.3	35.0
Power	6 Volt/ 10 Ah sealed lead-acid rechargeable battery						
Display	5-digits, 7-segment LED (2.54 cm / 1 inch high)						
Battery Life	Approx. 150 hours						
Recharging Time	Approx. 10 hours						
Enclosure	Cast aluminum, NEMA IV						
Hook	Bearing 360° freely swivel hook						
Tare Range	100 % F. S.						
Annunciator	Zero, Tare (Net weight), Stable, Low battery						
Battery Charger	110 VAC, 230 VAC, 50/60 Hz (CE certificated)						
Operating Temp.	0°C~40°C						
Shipping Dimension	480 x 330 x 250 mm						

Option



Wireless remote controller
(15 m distance)

AC-01N :



Handheld RF weighing indicator :

JADEVER®

Jadever Scale Co., Ltd.

No.5, Wu-Chuan 2Rd., Wu-Ku Hsiang, Taipei Hsien, Taiwan, R.O.C.
Tel: 886-2-2299-0203 Fax: 886-2-2299-0204

<http://www.jadever.com.tw> E-mail: jadever@jadever.com.tw

Jadever Weightech, Inc.

275 Calvert Road, Markham, Ontario, Canada L6C 1V1

Tel: 1-905-887-4688 Fax: 1-905-887-4066

E-mail: jadever@mail.com

Distributed by

